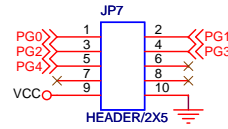
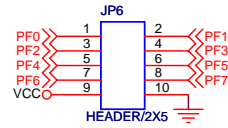
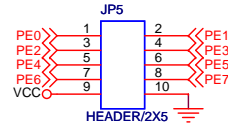
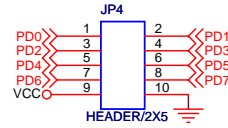
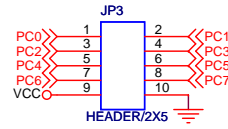
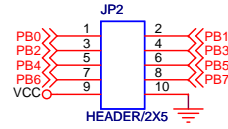
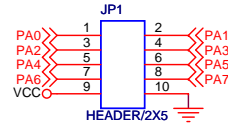
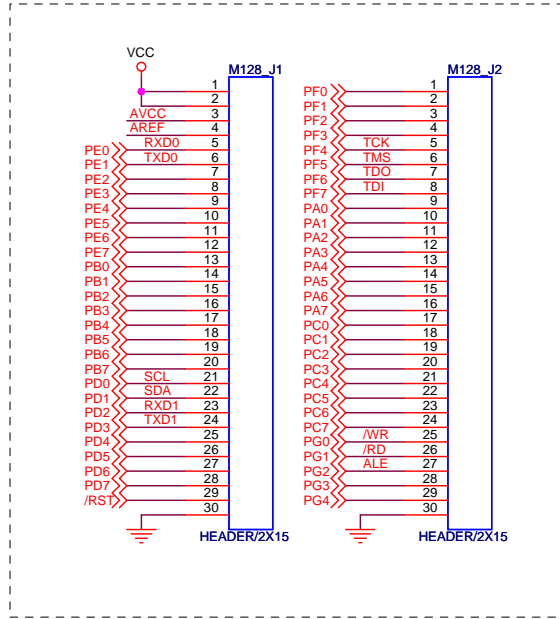
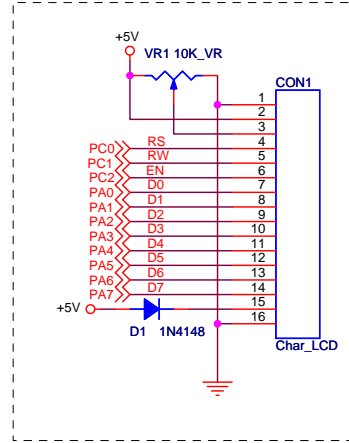


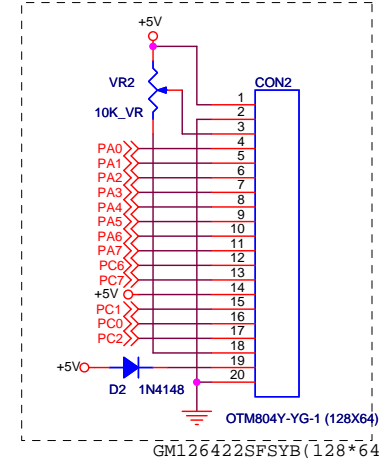
M128/64 Board V2.2 Module  
CAN128 Board V2.2 Module



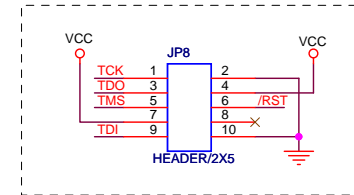
TEXT LCD Interface




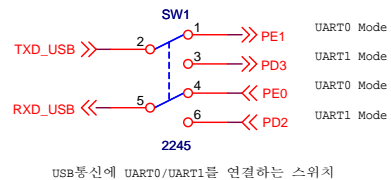
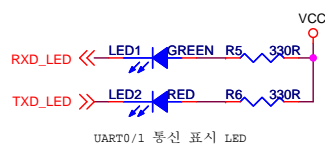
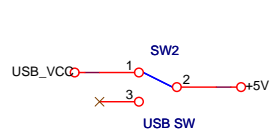
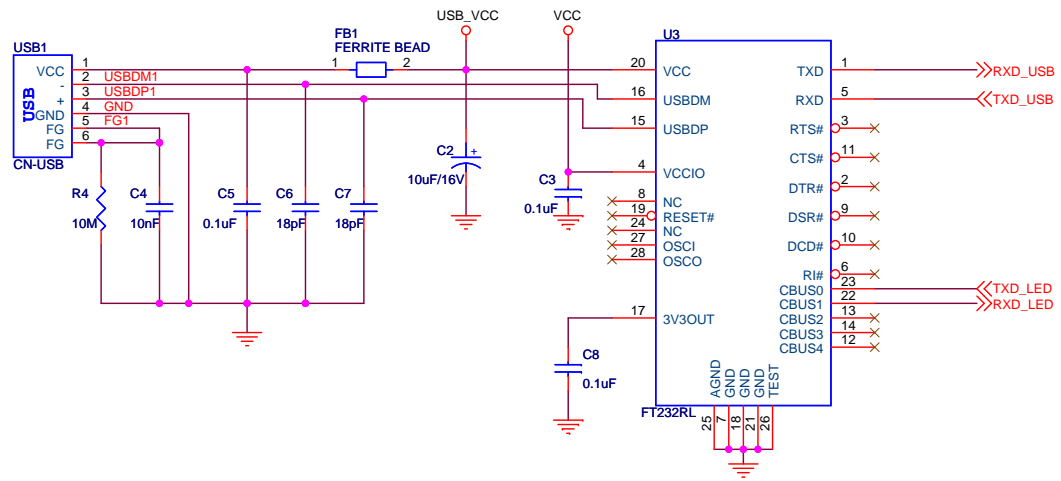
GRAPHIC LCD Interface



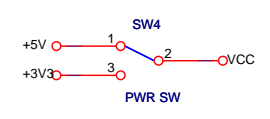
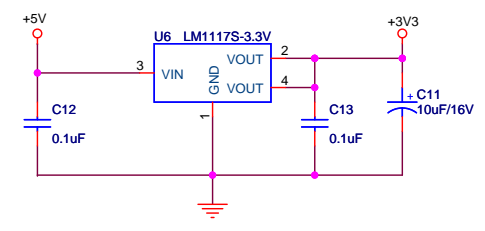
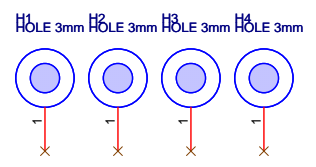
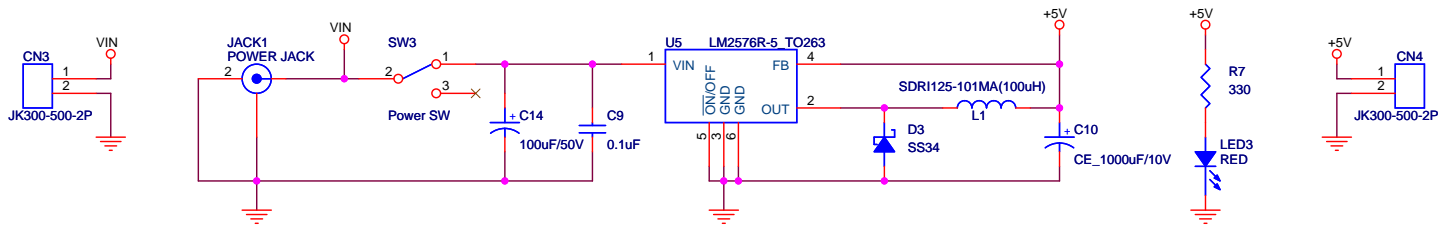
JTAG Port



<b>NEROTECH</b> NA3510, 1258, ChungAngCirculation Complex Gurobong-dong, Guro-Gu, Seoul, Korea			 nero technology
Title <b>NERO-M128_EV22</b>			
Size B	Document Number 1. MAIN	Rev A	
Date: Thursday, April 20, 2017	Sheet 1	of 3	



<b>NEROTECH</b> NA3510, 1258, ChungAngCirculation Complex Gurobong-dong, Guro-Gu, Seoul, Korea			 nero technology
Title <b>NERO-M128_EV22</b>			
Size B	Document Number 2. USB	Rev A	
Date:	Thursday, April 20, 2017	Sheet	2 of 3



<b>NEROTECH</b> NA3510, 1258, ChungAngCirculation Complex Gurobong-dong, Guro-Gu, Seoul, Korea			
Title: <b>NERO-M128_EV22</b>			
Size B	Document Number 3. POWER	Rev A	
Date: Thursday, April 20, 2017	Sheet 3 of 3		1